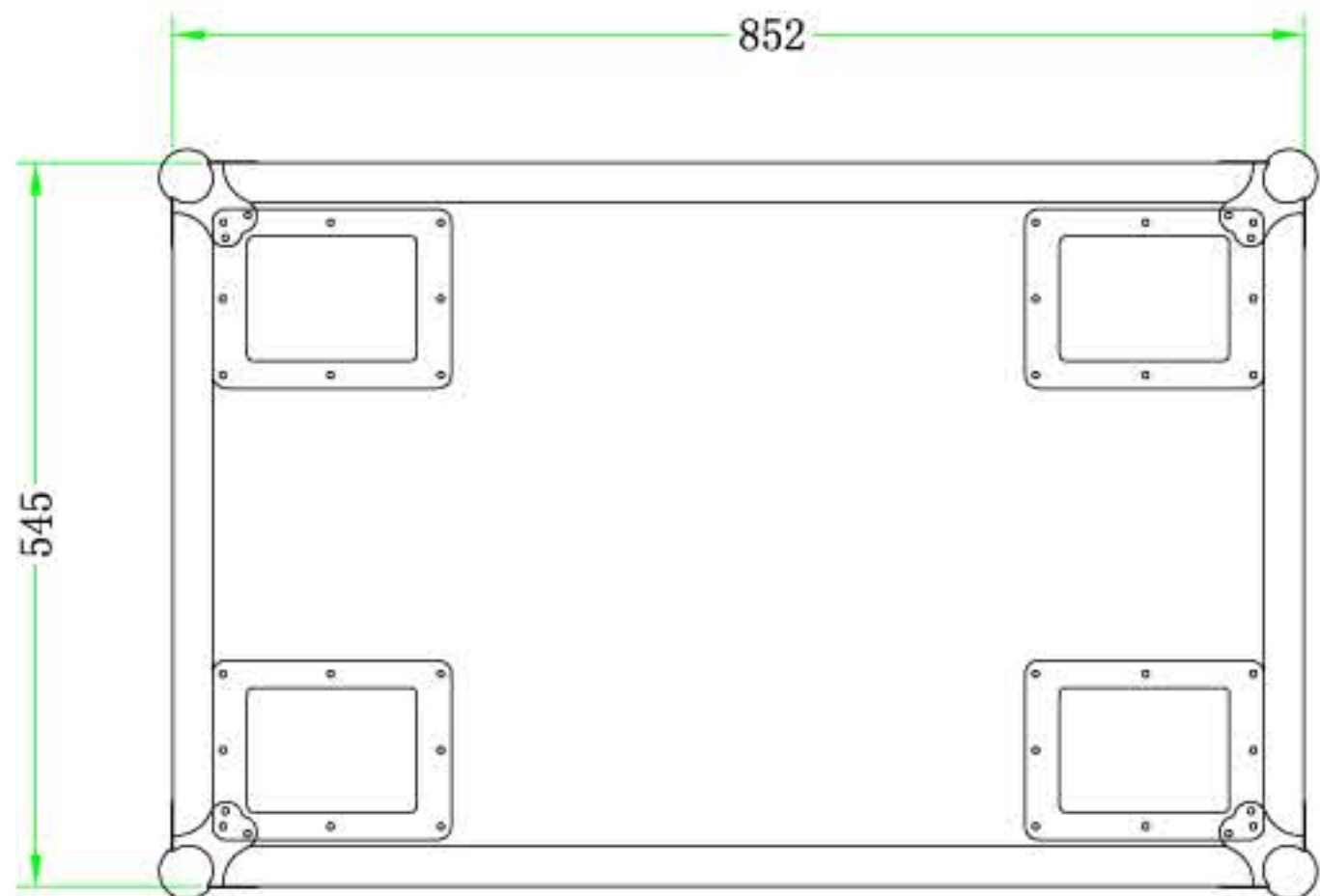


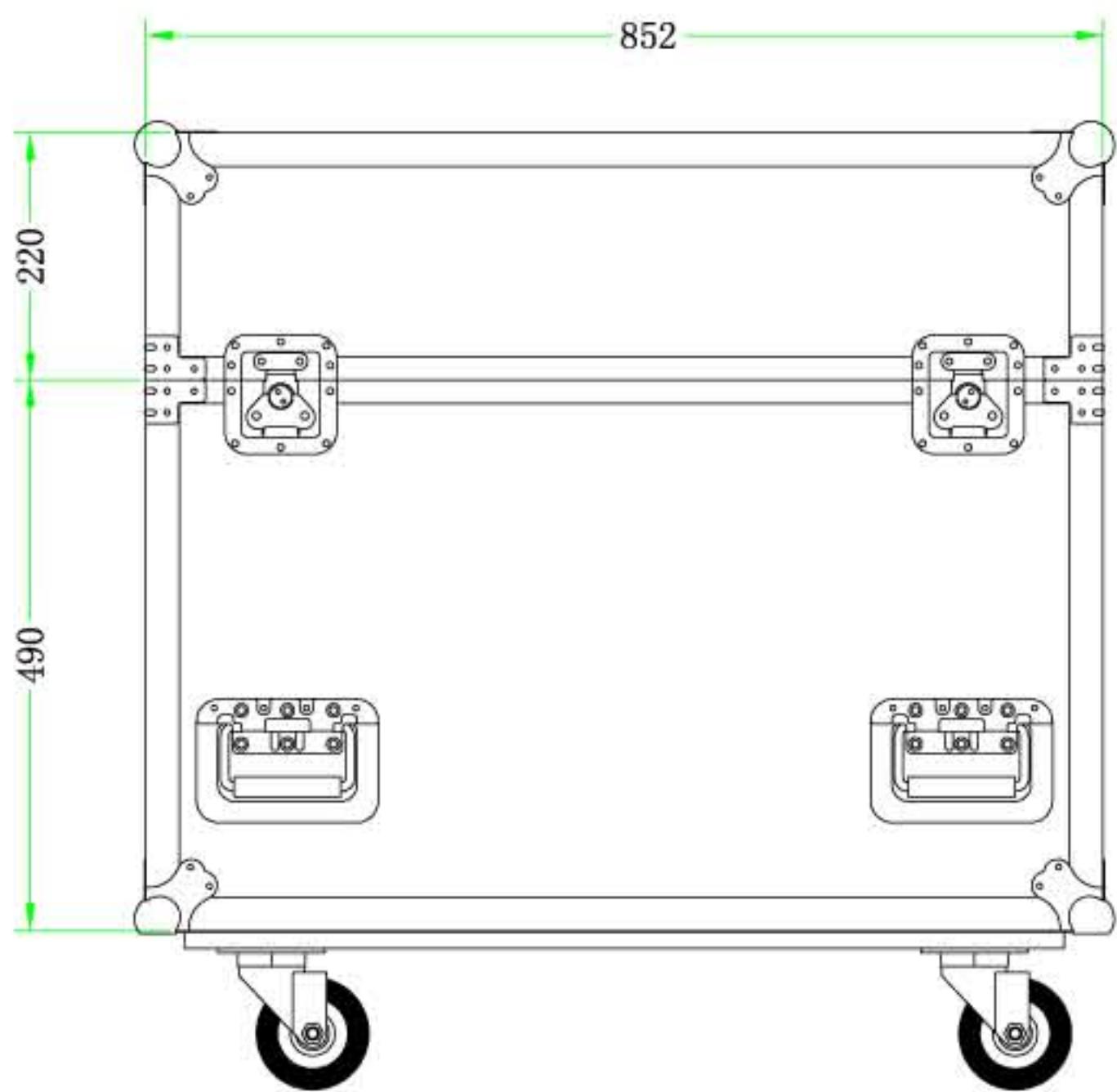
# CM-P2LE250W



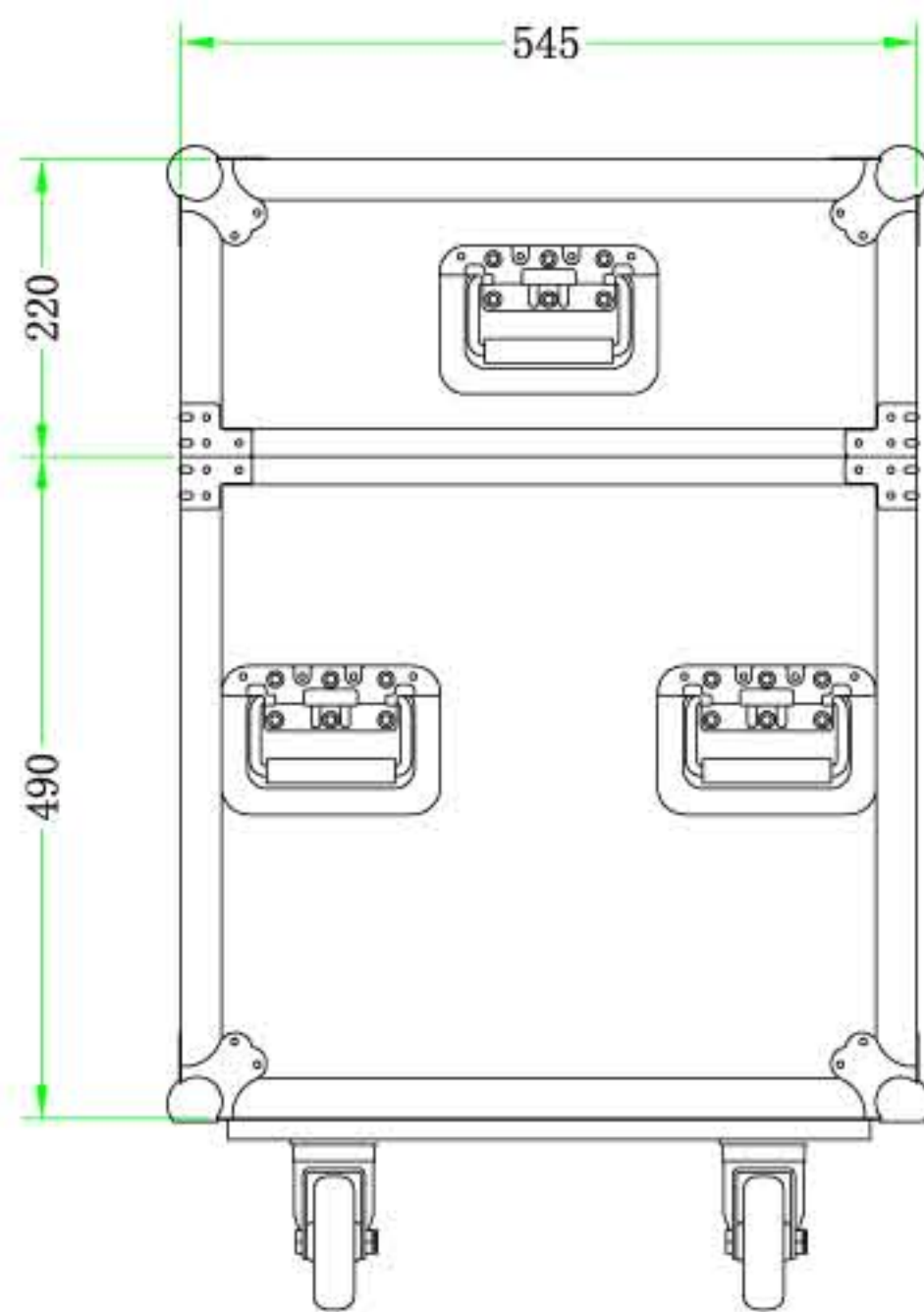
[WWW.THECASEMAKERSCO.COM](http://WWW.THECASEMAKERSCO.COM)



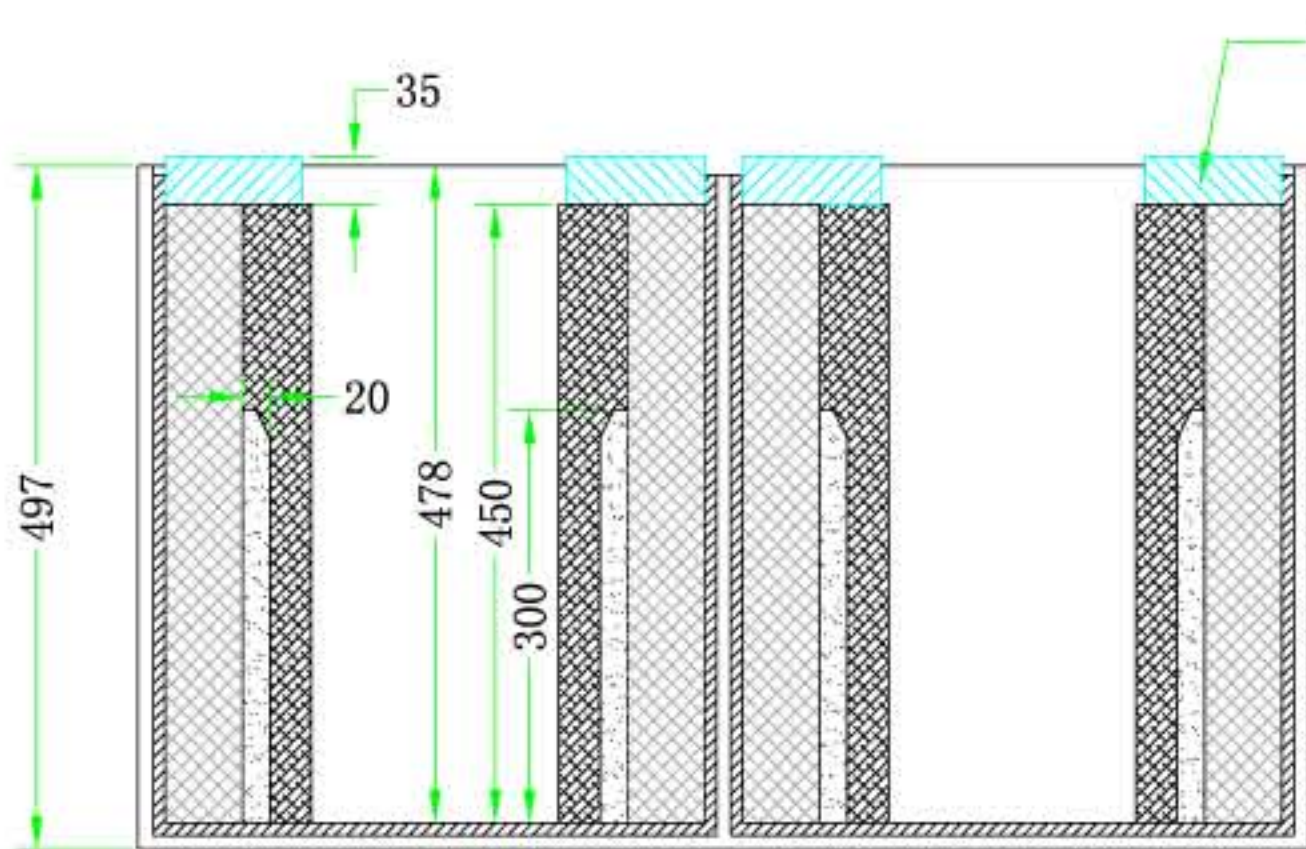
TOP VIEW



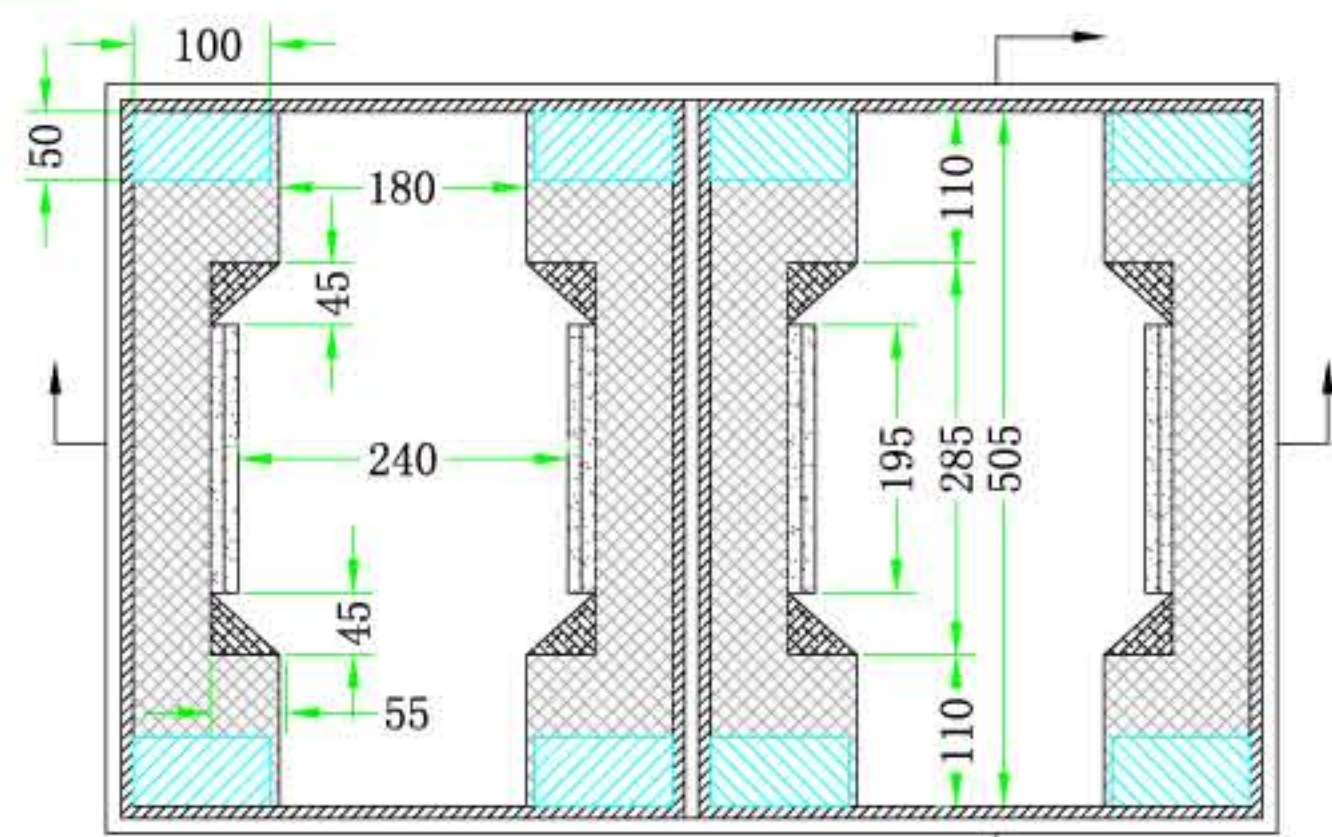
FRONT&BACK VIEW



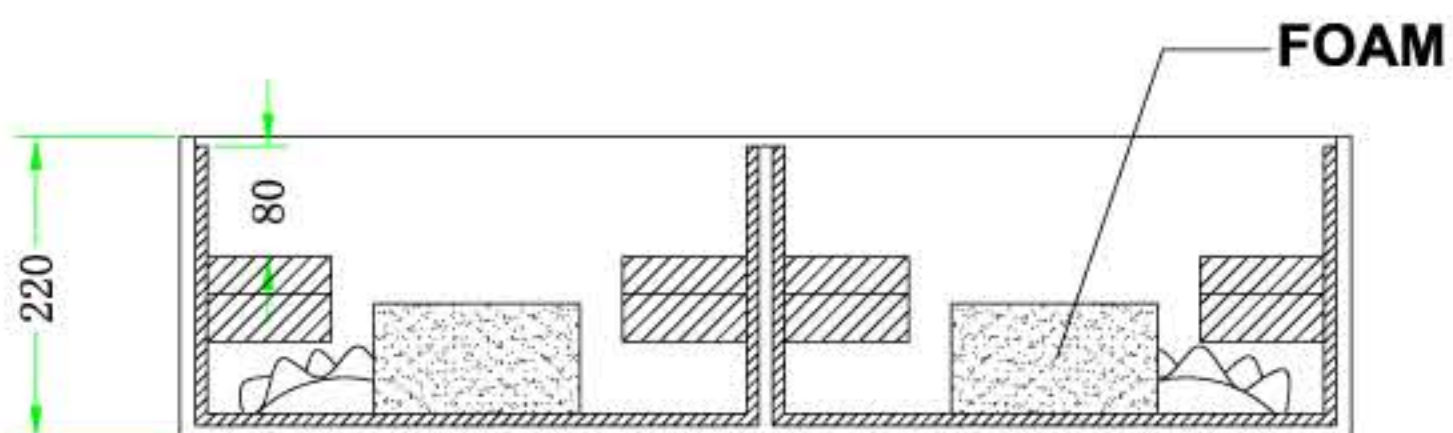
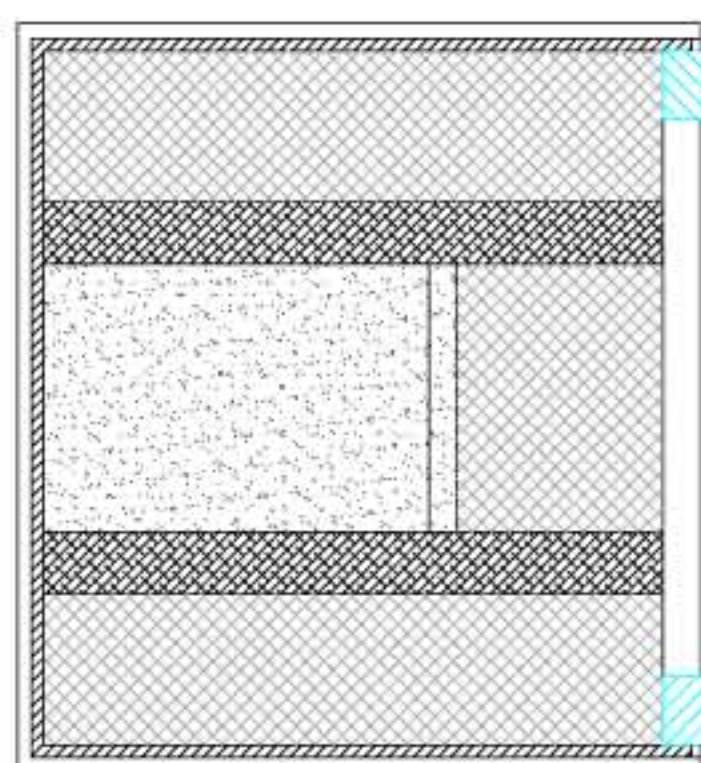
RIGHT/LEFT VIEW



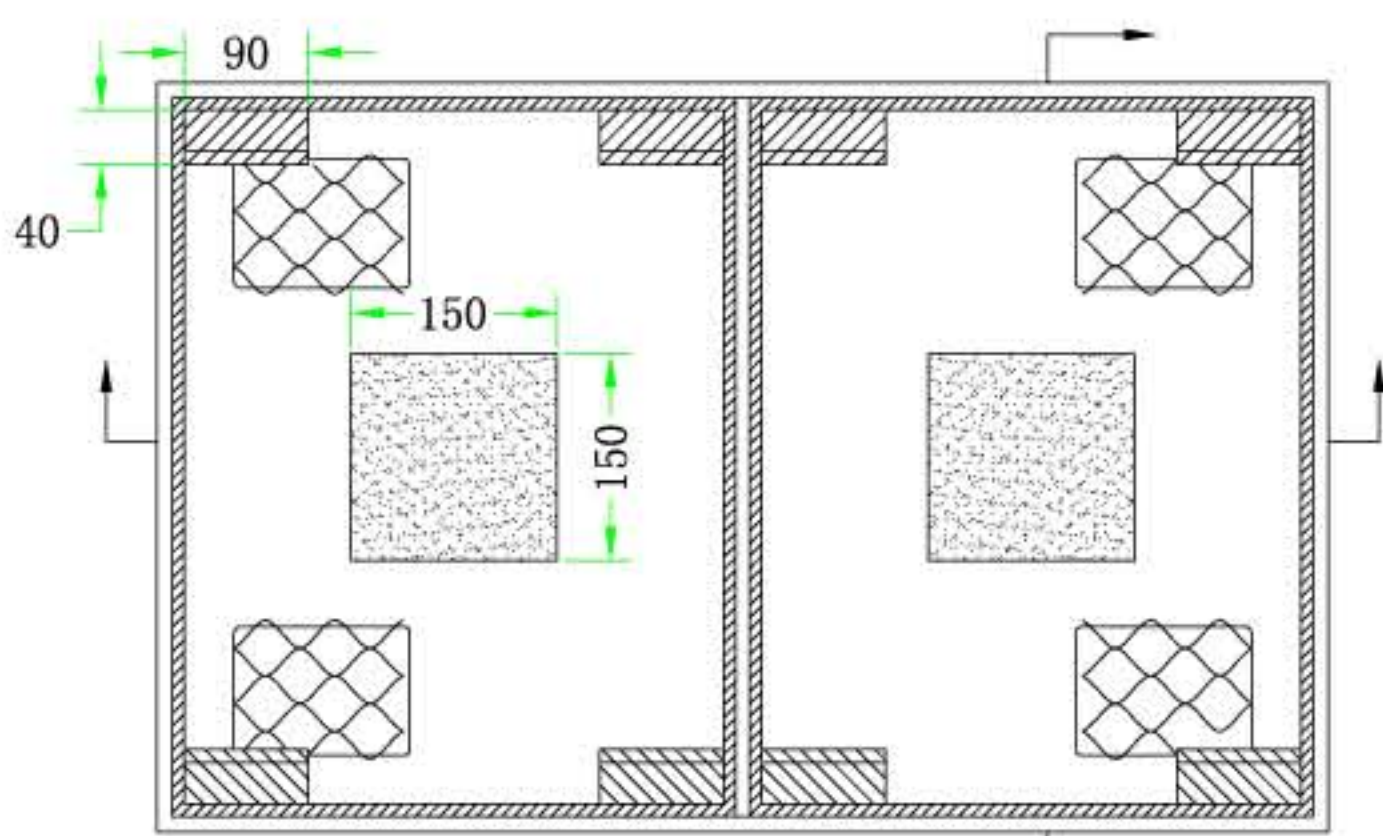
REMOVEABLE EVA



INSIDE VIEW OF BASE



FOAM



INSIDE VIEW OF COVER

